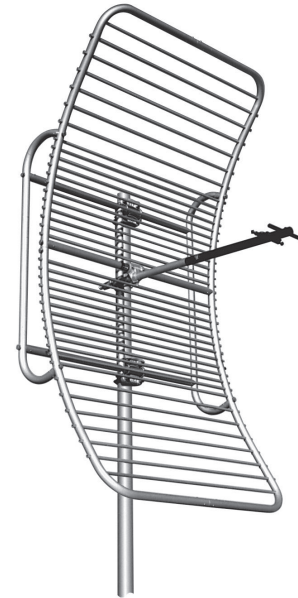


The Scala PR-TV series Paraflector antennas are designed for professional receive and low-power transmit applications in the 470-806 MHz spectrum. These antennas are available for any specified single 6 MHz UHF-TV channel.

Features include:

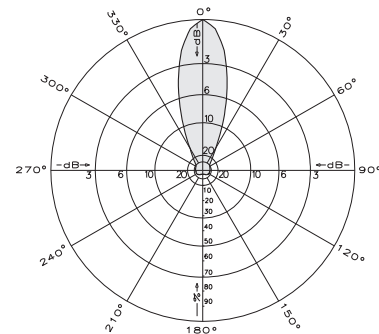
- High gain, half-parabolic design.
- Lower weight and surface area than a parabolic dish or grid.
- Very rugged construction using anodized aluminum pipe, tubing and castings; plus stainless steel hardware and fastenings.
- Weather resistant foam-filled feed assembly requires no pressurization. Easily replaced for frequency changes.
- Compact packaging for standard U.S. express services.



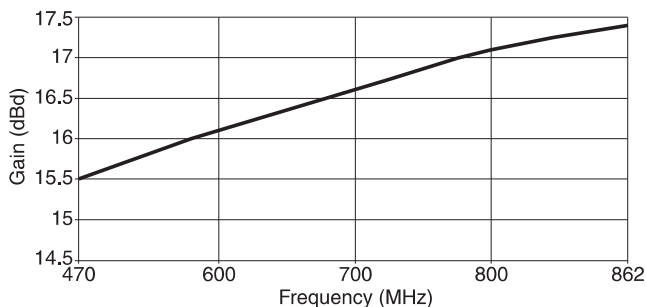
(Shown horizontally polarized)

Specifications	
Frequency range	470—806 MHz
Bandwidth	Any 6 MHz UHF-TV channel
Gain	15.5 to 17 dBd (depending on channel)
Impedance	50 ohms
VSWR	<1.2:1
Polarization	Horizontal or vertical
Front-to-back ratio	25 dB
Maximum input power	100 watts (at 50°C)
H-plane beamwidth	24 degrees (half-power)
E-plane beamwidth	16 degrees (half-power)
Connector	N female
Weight	38 lb (17.2 kg)
Dimensions	68 x 36 x 18 inches (1727 x 914 x 457 mm)
Wind load at 93 mph (150 kph)	
Front / side	134 lbf / 72 lbf (594 N) / (320 N)
Wind survival rating*	100 mph (160 kph)
Shipping dimensions	40 x 36 x 7 inches (1016 x 914 x 178 mm)
Shipping weight	47 lb (21.3 kg)
Mounting	Mounting kits available for masts of 2.375 to 4.5 inch (60 to 114 mm) OD.

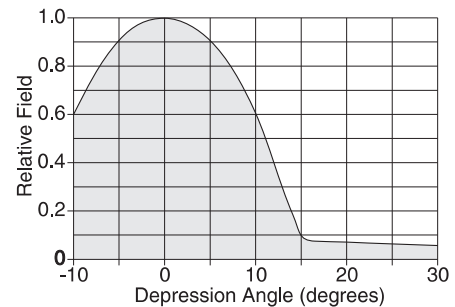
*Mechanical design is based on environmental conditions as stipulated in TIA-222-G-2 (December 2009) and/or ETS 300 019-1-4 which include the static mechanical load imposed on an antenna by wind at maximum velocity. Contact KBU for further details.



Typical azimuth pattern (E-plane)



30063 subject to alteration



Typical elevation pattern (H-plane)

PARAFLECTOR is a registered trademark of Kathrein Broadcast USA.

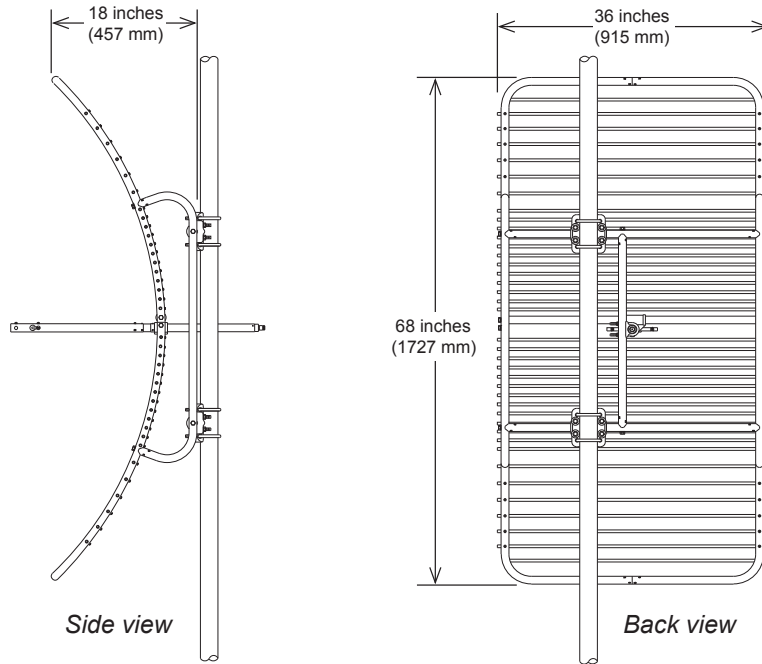
PR-TV series, Page 1 of 2

All specifications are subject to change without notice.
The latest specifications are available at www.kathrein-bca.com



A Kathrein Broadcast Brand

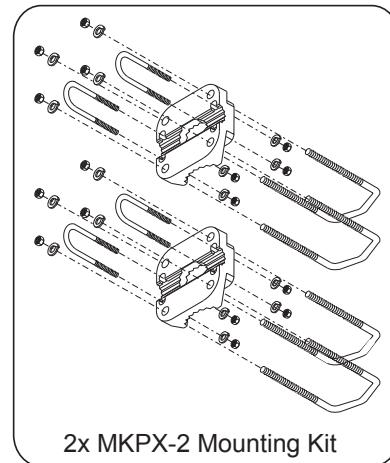
PR-TV series
PARAFLECTOR® ANTENNA
 470—806 MHz (single channel)



Paraflector Screen Dimensions
 (shown horizontally polarized)

Mounting options

Model	Description
MKPX-2 (2x)	Mounting kit for 2.375 inch (60 mm) OD mast
MKPX-9	Mounting kit for 2.875 inch (73 mm) OD mast
MKPX-10	Mounting kit for 3.5 inch (89 mm) OD mast
MKPX-11	Mounting kit for 4 inch (102 mm) OD mast
MKPX-12	Mounting kit for 4.5 inch (114 mm) OD mast
MKTB-1	Tilt Mount Kit, 8—39 degrees tilt angle. Used with any MKPX kit listed above.



2x MKPX-2 Mounting Kit

Order information

Contact Kathrein USA Customer Service for detailed information for detailed order information

Contact Kathrein USA Sales Engineering regarding special multi-channel models.

NOTE: Requires mounting kit at additional cost (see listing above).

30063 subject to alteration