

The Scala HDCA-5 is a ruggedly built yagi antenna, designed for professional FM transmit and receive applications.

Like all Scala antennas, the HDCA-5 is made of the finest materials using state of the art electrical and mechanical designs resulting in superior performance and long service life.

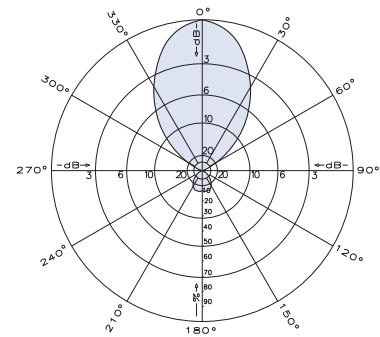
The HDCA-5 may be used stand alone or in stacked arrays for higher gain, increased side-lobe suppression, or custom azimuth patterns.



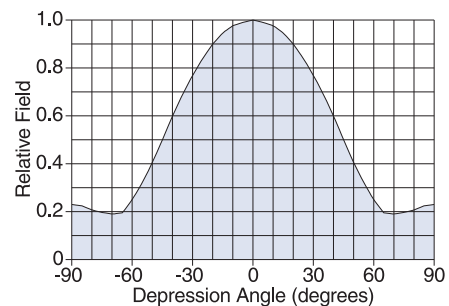
HDCA-5/HRM
Horizontally polarized

Specifications	
Frequency range	Any specified FM channel 88 to 108 MHz
Gain	7.5 dBd
Power gain	5.62
Impedance	75 ohms (50 ohms with optional transformer)
VSWR	<1.5:1
Polarization	Horizontal
Front-to-back ratio	>14 dB
Maximum input power	250 watts, type "N" 75 ohm termination
Azimuth pattern	52 degrees (half-power)
Elevation pattern	68 degrees (half-power)
Connector	75Ω N female
Weight	21 lb (9.5 kg)
Dimensions	72.2 x 69.3 x 28.8 inches maximum (1834 x 1760 x 732 mm)
Wind load at 100 mph (161 kph)	
Front	81 lbf (360 N)
Wind survival rating*	120 mph (193 kph)
Shipping dimensions	78 x 6 x 5 inches maximum (1981 x 152 x 127 mm)
Shipping weight	23 lb (10.4 kg)
Mounting	For masts of 2.375 inch (60 mm) OD.
HDCA-5/HCM	Horizontal polarization center-mount
HDCA-5/HRM	Horizontal polarization rear-mount

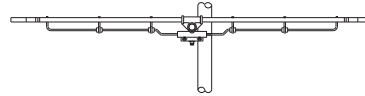
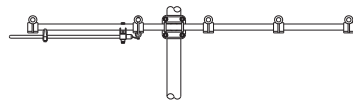
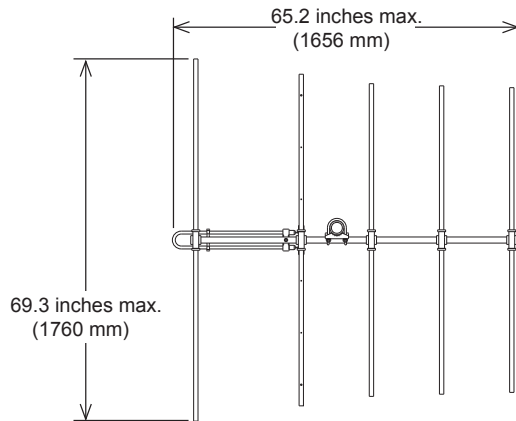
*Mechanical design is based on environmental conditions as stipulated in TIA-222-G-2 (December 2009) and/or ETS 300 019-1-4 which include the static mechanical load imposed on an antenna by wind at maximum velocity. Contact KBU for further details.



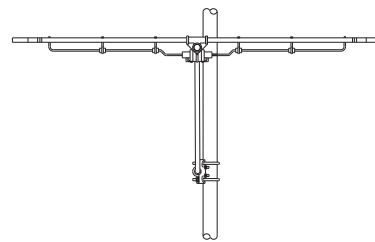
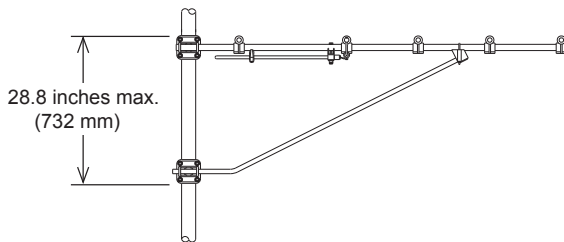
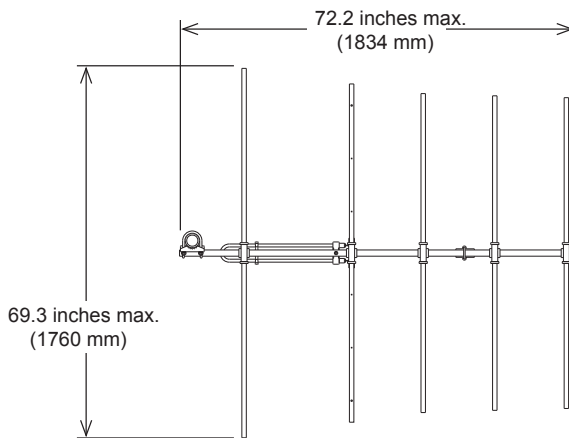
Azimuth pattern (E-plane - typical)



Elevation pattern (H-plane)



HDCA-5/HCM
Horizontally polarized
FM (88—108 MHz)



HDCA-5/HRM
Horizontally polarized
FM (88—108 MHz)

30059 subject to alteration