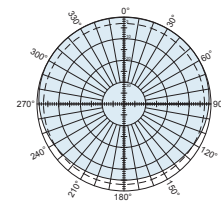
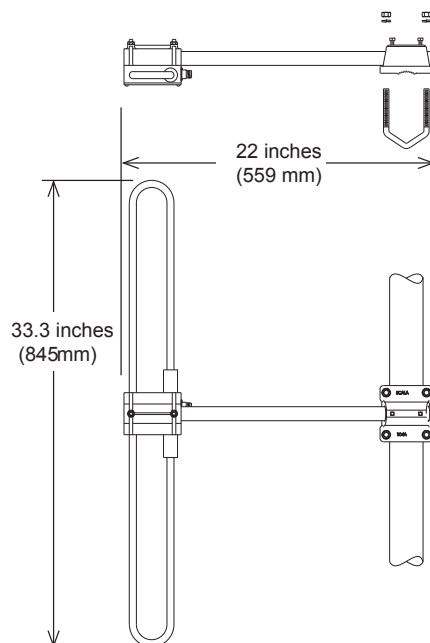
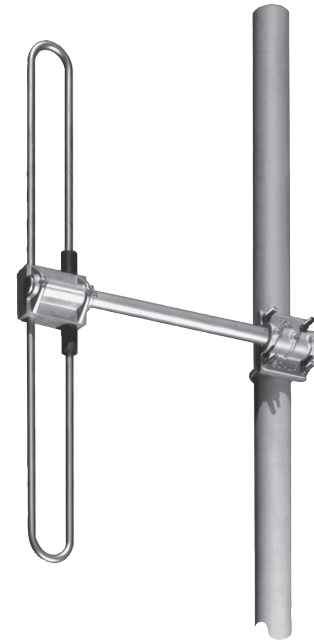


The Scala CDV-150 broadband dipole antenna is intended for use in professional fixed-station applications in the 147—174 MHz band.

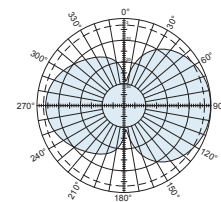
- Broad pattern with moderate gain.
- Anodized, triple laminated dipole for superior strength.
- Extreme weather survival design.
- Internal balun in cast aluminum housing is sealed against weather damage.
- Elements can be stacked for additional gain.
- Stainless steel hardware throughout.
- Entire antenna is at DC ground potential.

Specifications	
Frequency range	147—174 MHz
Gain	2 dBd (4.15 dBi)
Impedance	50 ohms
VSWR	<1.5:1
Polarization	Vertical
Maximum input power	500 watts (at 50°C)
H-plane beamwidth	246 degrees (half-power)
E-plane beamwidth	70 degrees (half-power)
Connector	N female
Weight	5 lb (2.3 kg)
Dimensions	33.3 x 22 inches (846 x 559 mm)
Wind load at 100 mph (161 kph)	
Front	18 lbf (80 N)
Wind survival rating*	130 mph (209 kph)
Shipping dimensions	49 x 6 x 6 inches (1245 x 152 x 152 mm)
Shipping weight	8 lb (3.6 kg)
Mounting	For masts of 2.375 inch (60 mm) OD

*Mechanical design is based on environmental conditions as stipulated in TIA-222-G-2 (December 2009) and/or ETS 300 019-1-4 which include the static mechanical load imposed on an antenna by wind at maximum velocity. Contact KBU for further details.



H-plane
Horizontal pattern - V-polarization



E-plane
Vertical pattern - V-polarization

30045 subject to alteration

All specifications are subject to change without notice.
The latest specifications are available at www.kathrein-bca.com