

The Scala 84010291, 84010292 & 84010293 are ruggedly built, broadband, folded dipole yagi antennas.

Like all Scala antennas, these antennas are made of the finest materials using state of the art electrical and mechanical designs resulting in superior performance and long service life.

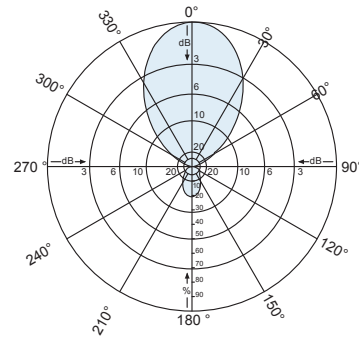
The 84010291, 84010292 & 84010293 may be used stand alone or in stacked arrays for higher gain, increased side-lobe suppression, or custom azimuth patterns.



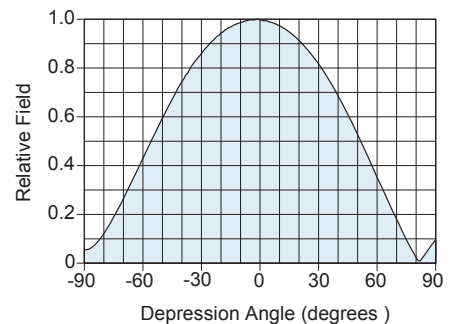
Specifications

Frequency range	84010291	Ch. 7—8 (174—186 MHz)
	84010292	Ch. 9—10 (186—198 MHz)
	84010293	Ch. 11—13 (198—216 MHz)
Gain	7 dBd	
Power gain	5.01	
Impedance	50 ohms	
VSWR	<1.35:1	
Polarization	Horizontal or vertical	
Front-to-back ratio	13 dB	
Maximum input power	350 watts	
H-plane beamwidth	57 degrees (half-power)	
E-plane beamwidth	80 degrees (half-power)	
Connector	N female	
Weight	9.5 lb (4.3 kg) maximum	
Dimensions	48.8x 33.3 inches maximum (1240 x 846 mm)	
Wind load at 100 mph (161 kph)	Front 38 lbf (169 N)	
Wind survival rating*	100 mph (161 kph)	
Shipping dimensions	51 x 13 x 8 inches (1295 x 330 x 203 mm)	
Shipping weight	15 lb (6.8 kg)	
Mounting	For masts of 2.375 inch (60 mm) OD.	

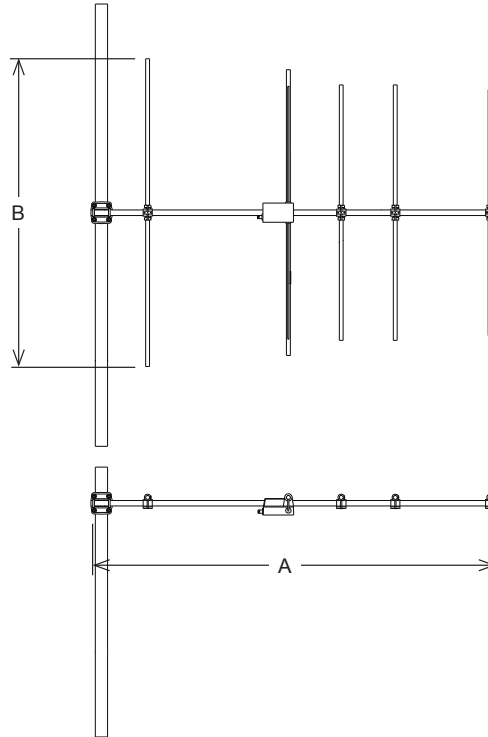
*Mechanical design is based on environmental conditions as stipulated in TIA-222-G-2 (December 2009) and/or ETS 300 019-1-4 which include the static mechanical load imposed on an antenna by wind at maximum velocity. Contact KBU for further details.



Azimuth pattern (E-plane)
H-polarization



Elevation pattern (H-plane)
H-polarization



Dimensions

Model	A	B
84010291	48.8 inches (1240 mm)	33.3 inches (846 mm)
84010292	46.4 inches (1179 mm)	31.2 inches (792 mm)
84010293	43.6 inches (1107 mm)	28.6 inches (726 mm)

Order information

Model	Description
84010291	Ch. 7—8 (174—186 MHz) antenna
84010292	Ch. 9—10 (186—198 MHz) antenna
84010293	Ch. 11—13 (198—216 MHz) antenna

30067a subject to alteration